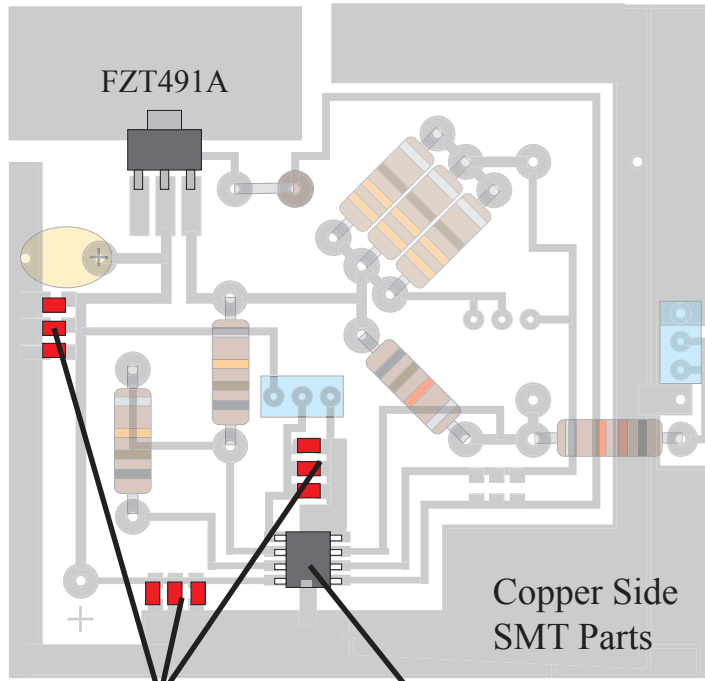
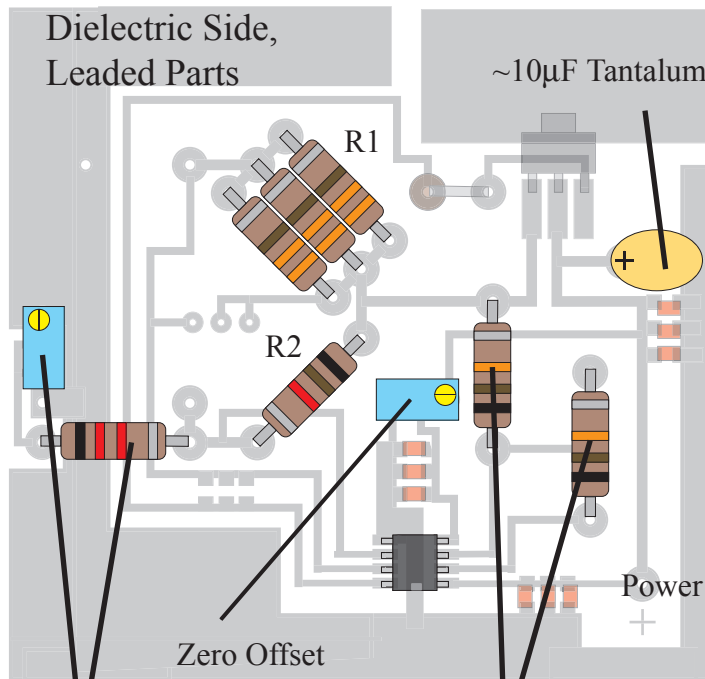


CTA Rev 3 Parts Placement Guide



0.1 μ F Chip Caps

U1, U2 AD8662 or similar



Roh Overheat

100k Output Gain